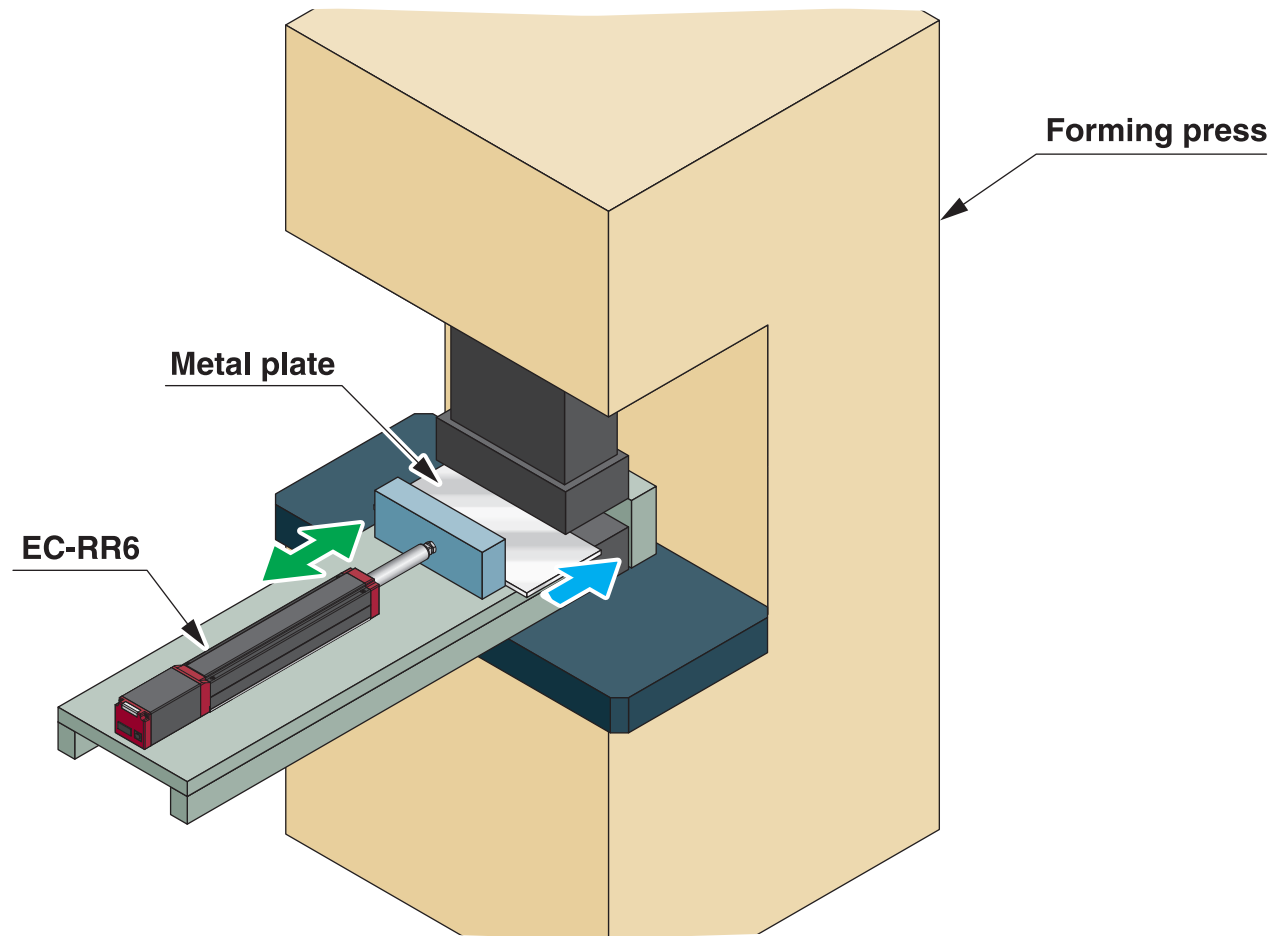


# Loader for forming press

**Usage** A device to load metal plate into a forming press.



**Explanation** Conventionally, the metal plate was loaded manually by having a worker pushing it into the forming press. Motorizing this procedure has led to an improvement in efficiency. The cycle time has reduced from 10 seconds down to 8 seconds while ensuring a safer working environment.