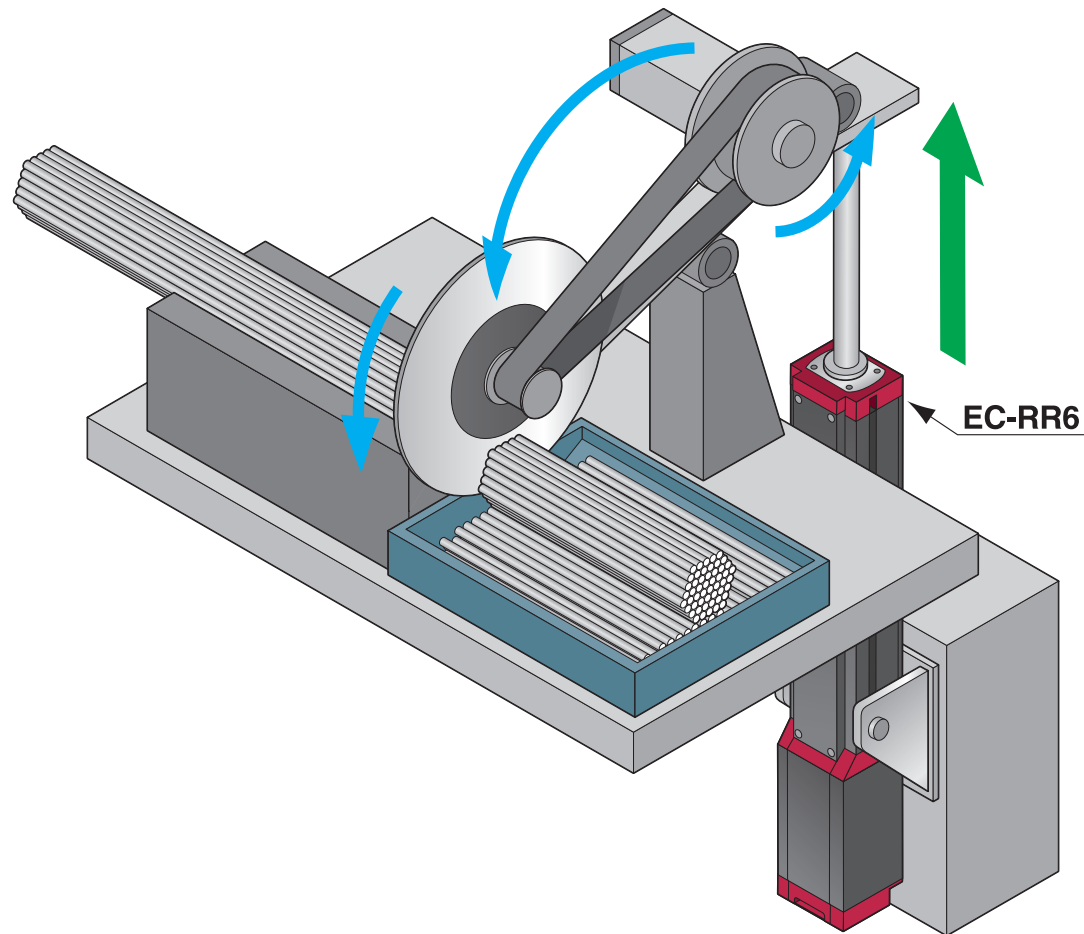


Cutter for Medical Device Parts

Usage A driving device for devices that cuts bundles of medical device parts.



Explanation Elecylinder is adopted so that the device can have a detailed setting for its cutting speed and carry out a stable operation. Normally, a guide is necessary to prevent lateral force from being applied to the rod when cutting, but external guide is no longer necessary as EC-RR6 comes with a built-in guide.