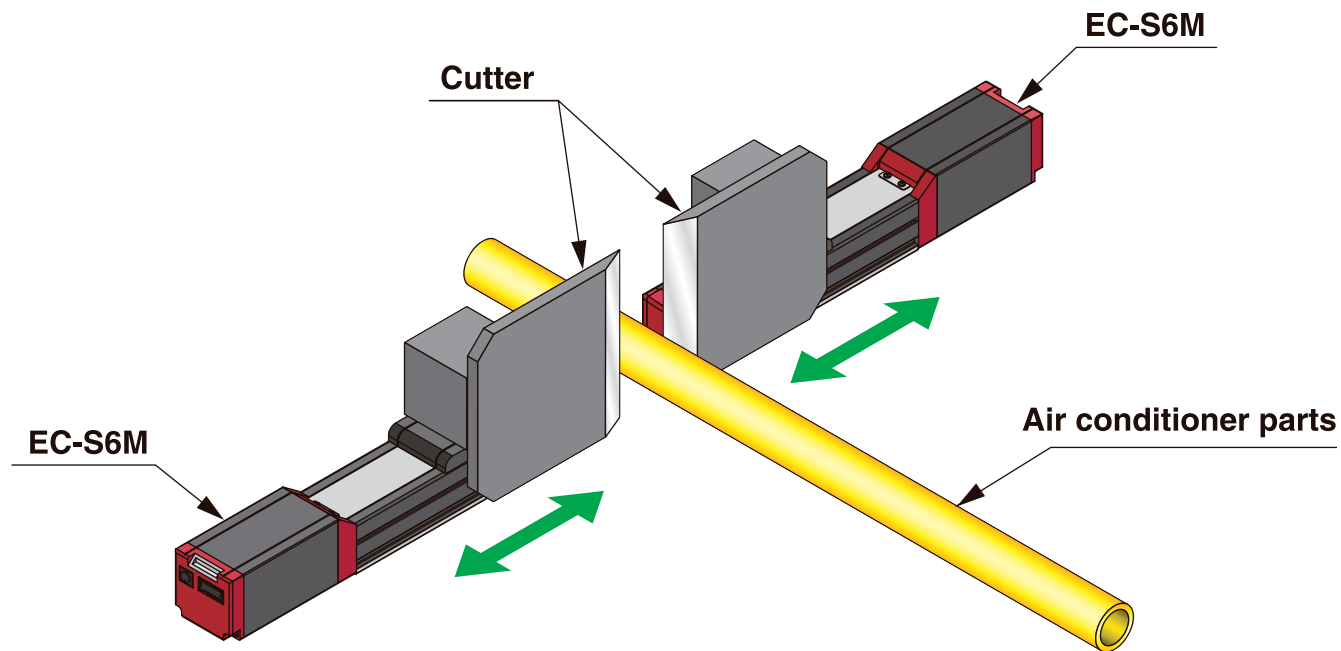


Automotive air conditioner parts slicing device

Usage A device that cuts blow-molded automotive air conditioner parts.



Explanation

Conventionally, the cutting was carried out using an air cylinder equipped with a cutter. Running speed was increased in order to increase the production volume, but defective products due to cutting mistakes began to occur.

This time, by adopting the Elecylinder in two-axis configuration to cut from both sides, the distance the cutter moves has been halved.

As a result, there is more margin in the cycle time, which makes it possible to set the speed with an emphasis on quality, and no more defective products occurred since then.