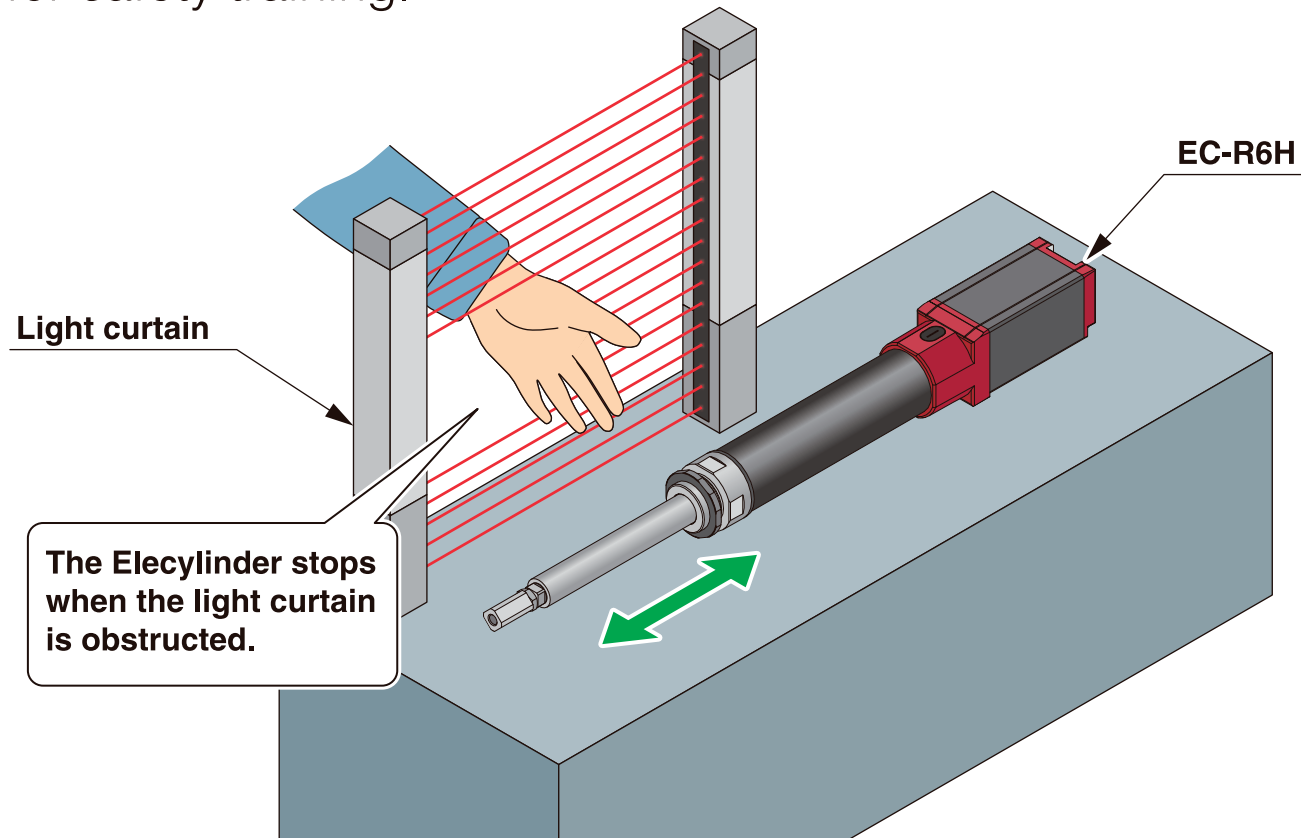


In-house teaching device for the safety device

Usage A device to experience and learn how does a safety device operates, used for safety training.



Explanation

In the past, there was a case where a worker disabled the safety device, resulting in injury.

In order to prevent such issues in future, we created a simple model with a safety device which could be used as a teaching material as a part of our in-house safety education.

This model features a light curtain and the Elecylinder rod type, making it easier to grasp the way it operates through the visual aid.