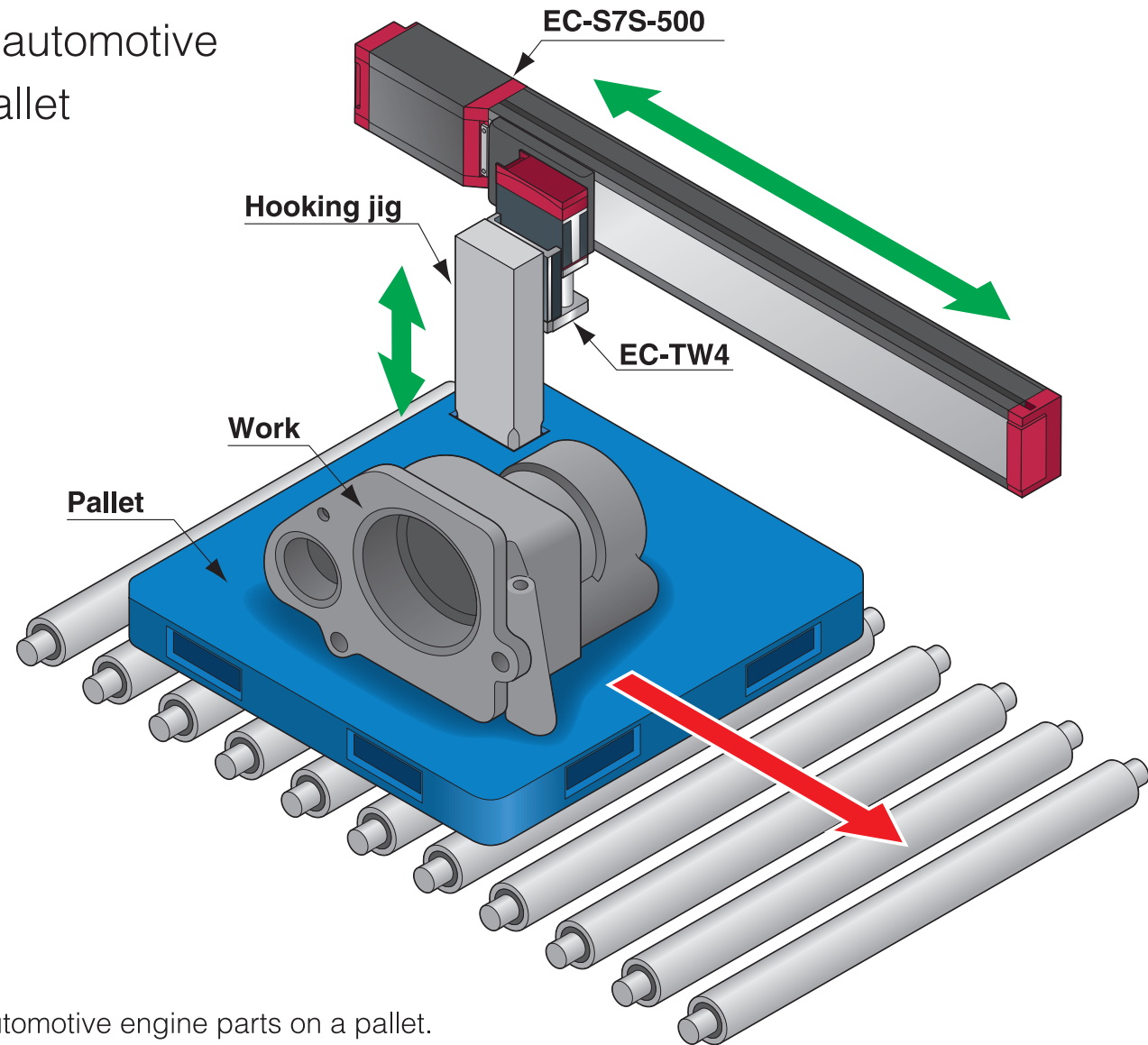


Pallet transfer device

Usage A device to transfer automotive engine parts on a pallet



Explanation A device used to transfer automotive engine parts on a pallet. The first axis inserts the hooking jig into the pallet, and the second pushes the pallet forward. This process, which used to be carried out manually, was successfully motorized through the use of Elecylinder.